

UK

PIVSTONE

**KYRYA**<sup>®</sup>  
- GROUP -

# PIVSTONE



## TECNOLOGÍA PIUTECH

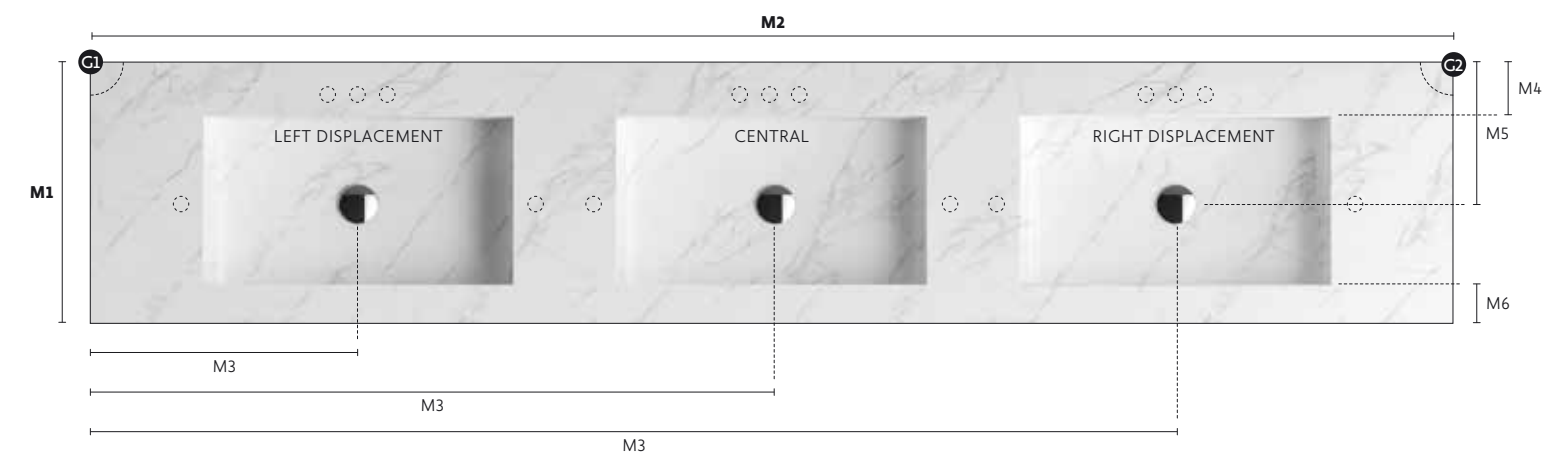
A TRANSPARENT COATING IS APPLIED TO THE PIUSTONE WORK TOPS TO CLOSE SURFACE PORES, PROVIDING SOLIDNESS AND RESISTANCE AGAINST EXTERNAL AGENTS WITHOUT ALTERING THE PROPERTIES, ELEGANCE, AND THE STYLE OF THE NATURAL STONE.

RIGOROUS QUALITY CONTROLS VERIFY AND CHECK EVEN THE SMALLEST DETAIL OF THE PRODUCTION PROCESS.



## PERSONALIZATION

1	2	3	4	5	6
DIMENSIONS	WASTE POSITION	TAP POSITION	BASIN DIMENSIONS	SKIRTING DEPTHS	FINISHES
<b>M1</b> = Depth. <b>M2</b> = Width. M4 = Rear measurement. M5 = Waste measurement. M6 = Front measurement. G1 = Side wall angle. G2 = Side wall angle.	<b>M3</b> = Waste.		<b>1</b> = 45 x 27. <b>2</b> = 60 x 27. <b>9</b> = Measurement.	0,6 cm. PORCELAIN 2 cm. PIUTECH MARBLE PIUTECH COMPACT 4-8 cm. PORCELAIN PIUTECH MARBLE PIUTECH COMPACT 8,1-18 cm. PORCELAIN PIUTECH MARBLE PIUTECH COMPACT	



## FINISHES



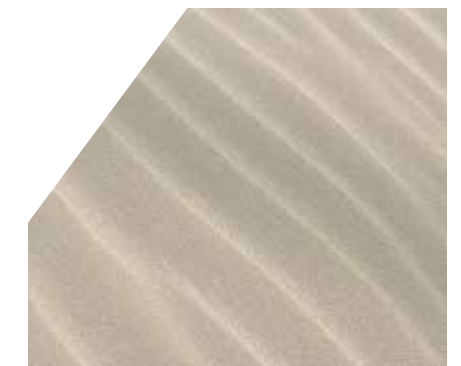
### PORCELAIN

The external aspect does not deteriorate with time, because it is 100% manufactured with inorganic materials without resins or additives. We only need to apply a sealant coat, like natural stone work tops, because it is a non-porous product. During the manufacturing process, the piece is ultra-compacted with a press and is later subjected to a sintering (not sure what sintering means?) process to increase its mechanical resistance; therefore, it resists all types of impacts, scratches, and chipping, without any problems. For cleaning, avoid using bleach, wax, polishes, and other chemical products.



### PIUTECH MARBLE

Delicateness, hardness, and durability are typical qualities of the 100% NATURAL STONE. Our products are enriched with these properties, giving them an attractive and personal character. Nature is responsible for the production process, making it unique and harmonious, without the need of following artificial rules; it is pure geology that gives the material its chemical and physical peculiarities. So simple and beautiful at the same time like the capricious wood grain, meaning that no two pieces are equal.



### PIUTECH COMPACT

Technology and nature harmoniously merge to produce NATURAL COMPACT STONE, consisting of 95% ground natural stone particles and 5% of natural resins. This innovative amalgam opens an interesting range of combinations with other colours and on the other hand, certifies an extraordinary resistance to abrasion and perfect cleanliness. Being a recycled product, it collaborates with environmental conservation.



# MYKONOS

DARK EMPEROR



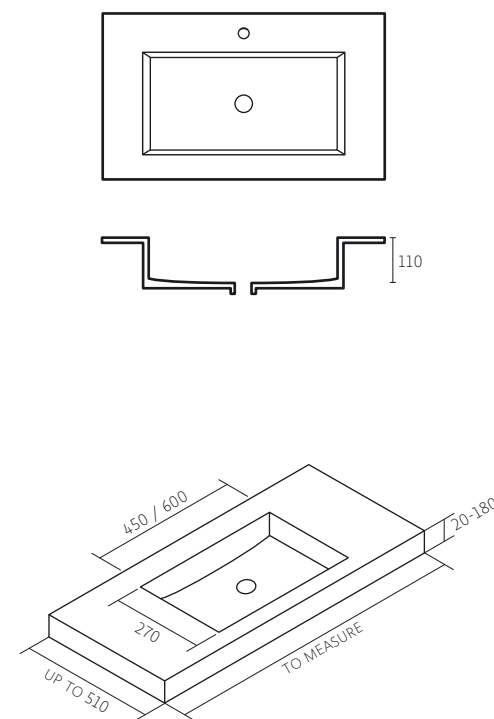
Basin and work top are integrated into a single finish without any joints, thanks to these materials. A rounded fall has been designed toward the clicker valve at the base of the basin, for perfect evacuation of liquids.

# MYKONOS PORCELAIN

CALACATTA



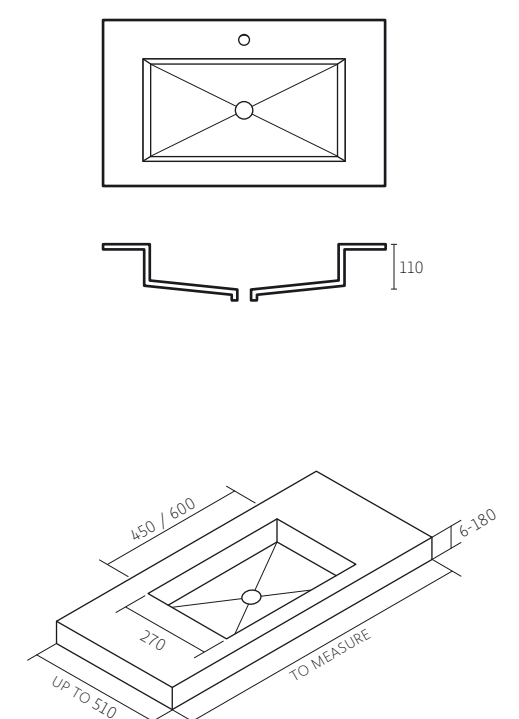
PIUTECH COMPACT				PIUTECH MARBLE			
CODE	WIDTH UP TO	THICK. 2	THICK. 4-8	THICK. 8,1-18	THICK. 2	THICK. 4-8	THICK. 8,1-18
101SFM061AAA	61	837	985	947	783	931	1.024
101SFM071AAA	71	870	1.042	1.029	829	1.001	1.109
101SFM081AAA	81	897	1.093	1.095	865	1.062	1.185
101SFM091AAA	91	930	1.151	1.168	911	1.132	1.270
101SFM101AAA	101	957	1.202	1.234	947	1.192	1.346
101SFM111AAA	111	990	1.260	1.307	993	1.262	1.431
101SFM121AAA	121	1.023	1.317	1.380	1.038	1.332	1.516
101SFM131AAA	131	1.050	1.368	1.446	1.074	1.393	1.591
101SFM141AAA	141	1.084	1.426	1.519	1.120	1.462	1.676
101SFM151AAA	151	1.110	1.477	1.585	1.156	1.523	1.752
101SFM161AAA	161	1.153	1.545	1.666	1.232	1.624	1.845
101SFM171AAA	171	1.195	1.612	1.747	1.307	1.725	1.937
101SFM181AAA	181	1.237	1.680	1.828	1.382	1.827	2.030
101SFM191AAA	191	1.279	1.748	1.909	1.457	1.928	2.122
101SFM201AAA	201	1.321	1.815	1.989	1.532	2.029	2.215
101SFM211AAA	211	1.364	1.883	2.070	1.607	2.130	2.307
101SFM221AAA	221	1.406	1.951	2.151	1.683	2.231	2.400



WORK TOP DEPTH UP TO 51 CM, ENQUIRE FOR LARGER DIMENSIONS.

PORCELAIN				
CODE	WIDTH UP TO	THICK. 0,6	THICK. 4-8	THICK. 8,1-18
111SFM061AAA	61	821	1.013	1.105
111SFM071AAA	71	862	1.086	1.226
111SFM081AAA	81	895	1.151	1.311
111SFM091AAA	91	936	1.224	1.403
111SFM101AAA	101	969	1.288	1.488
111SFM111AAA	111	1.011	1.361	1.580
111SFM121AAA	121	1.052	1.434	1.673
111SFM131AAA	131	1.085	1.499	1.757
111SFM141AAA	141	1.127	1.572	1.850
111SFM151AAA	151	1.160	1.636	1.934
111SFM161AAA	161	1.290	1.798	2.096
111SFM171AAA	171	1.420	1.960	2.258
111SFM181AAA	181	1.550	2.122	2.420
111SFM191AAA	191	1.680	2.284	2.582
111SFM201AAA	201	1.810	2.446	2.744
111SFM211AAA	211	1.940	2.608	2.905
111SFM221AAA	221	2.070	2.769	3.067

Porcelain materials have unique qualities that allow working with thicknesses from 0.6 cm for work tops and wall coatings. The PIUSTONE porcelain work tops can become one of the most outstanding pieces of the bathroom, because of their compact and homogeneity and lack of porosity.



WORK TOP DEPTH UP TO 51 CM, ENQUIRE FOR LARGER DIMENSIONS.

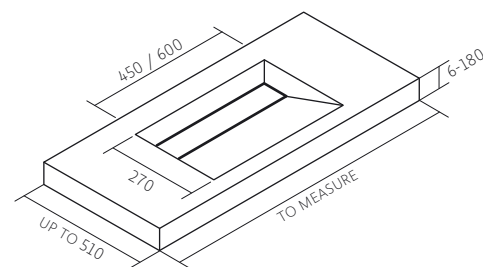
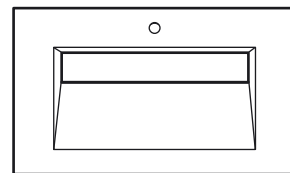


# VARI PERIMETER CAP

ZAHA STONE

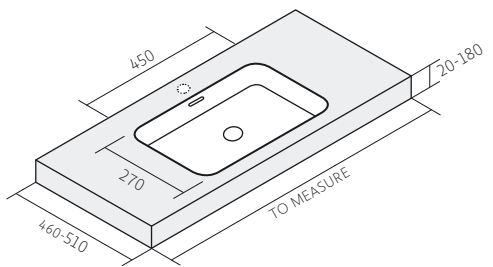
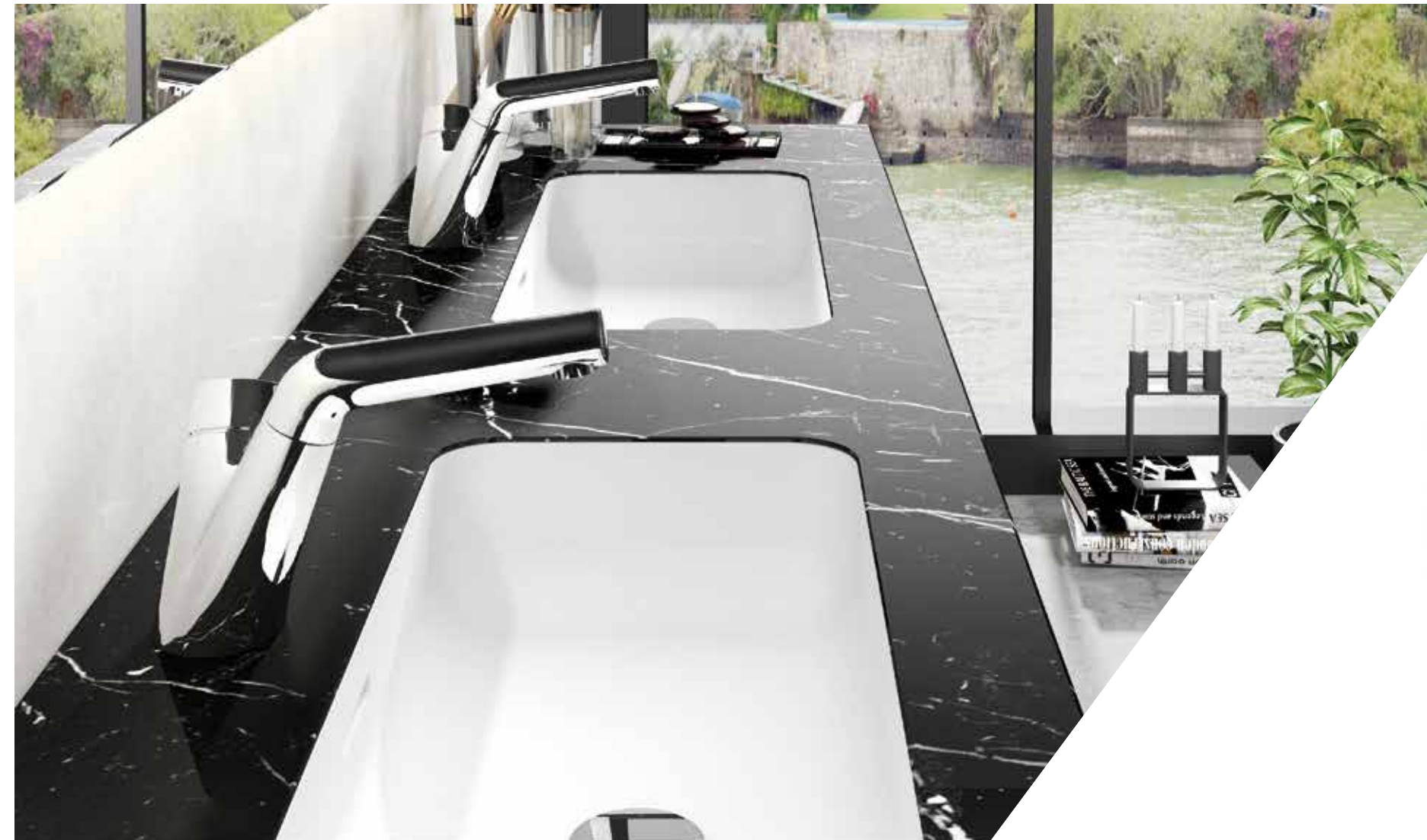


The VARI model, with its pure clean design and a linear fall towards the perimeter cover drain, offers the elegance of its simple delicateness for the most demanding of clients.



# DELPHOS

MARQUINA BLACK MARBLE



The natural warmth of the stone worktop merges with the attractive and stylish matt white basin, and overflow to create this family of work tops with integrated basins.

CODE	WIDTH UP TO
121SFM061AAA	61
121SFM071AAA	71
121SFM081AAA	81
121SFM091AAA	91
121SFM101AAA	101
121SFM111AAA	111
121SFM121AAA	121
121SFM131AAA	131
121SFM141AAA	141
121SFM151AAA	151
121SFM161AAA	161
121SFM171AAA	171
121SFM181AAA	181
121SFM191AAA	191
121SFM201AAA	201
121SFM211AAA	211
121SFM221AAA	221

## PIUTECH COMPACT

THICK. 2	THICK. 4-8	THICK. 8,1-18
715	863	1.077
749	921	1.150
775	972	1.216
809	1.030	1.289
835	1.081	1.355
869	1.138	1.428
902	1.196	1.501
929	1.247	1.567
962	1.305	1.640
989	1.356	1.706
1.070	1.457	1.807
1.151	1.558	1.909
1.232	1.659	2.010
1.313	1.760	2.111
1.394	1.861	2.212
1.475	1.963	2.313
1.556	2.064	2.414

## PIUTECH MARBLE

THICK. 2	THICK. 4-8	THICK. 8,1-18
905	1.053	1.145
950	1.122	1.230
986	1.183	1.306
1.032	1.253	1.391
1.068	1.314	1.467
1.114	1.384	1.552
1.159	1.453	1.637
1.196	1.514	1.713
1.241	1.584	1.798
1.278	1.645	1.874
1.353	1.749	1.984
1.428	1.853	2.093
1.503	1.957	2.203
1.579	2.061	2.313
1.654	2.165	2.423
1.729	2.269	2.533
1.804	2.373	2.643

## PORCELAIN

THICK. 0,6	THICK. 4-8	THICK. 8,1-18
960	1.153	1.273
1.002	1.226	1.366
1.035	1.290	1.450
1.076	1.363	1.543
1.109	1.428	1.627
1.150	1.501	1.720
1.192	1.574	1.812
1.225	1.638	1.897
1.266	1.711	1.989
1.299	1.776	2.074
1.388	1.897	2.195
1.477	2.019	2.317
1.566	2.140	2.438
1.655	2.262	2.559
1.744	2.383	2.681
1.833	2.504	2.802
1.922	2.626	2.924

WORK TOP DEPTH UP TO 51 CM, ENQUIRE FOR LARGER DIMENSIONS.

CODE	WIDTH UP TO
1311FM061AAA	61
1311FM071AAA	71
1311FM081AAA	81
1311FM091AAA	91
1311FM101AAA	101
1311FM111AAA	111
1311FM121AAA	121
1311FM131AAA	131
1311FM141AAA	141
1311FM151AAA	151
1311FM161AAA	161
1311FM171AAA	171
1311FM181AAA	181
1311FM191AAA	191
1311FM201AAA	201
1311FM211AAA	211
1311FM221AAA	221

## PIUTECH COMPACT

THICK. 2	THICK. 4-8	THICK. 8,1-18
715	863	956
749	921	1.029
775	972	1.095
809	1.030	1.168
835	1.081	1.234
869	1.138	1.307
902	1.196	1.380
929	1.247	1.446
962	1.305	1.519
989	1.356	1.585
1.047	1.439	1.669
1.105	1.523	1.752
1.162	1.607	1.836
1.220	1.691	1.920
1.278	1.775	2.004
1.336	1.859	2.088
1.394	1.942	2.172

## PIUTECH MARBLE

THICK. 2	THICK. 4-8	THICK. 8,1-18
783	931	1.024
829	1.001	1.109
865	1.062	1.185
911	1.132	1.270
947	1.192	1.346
993	1.262	1.431
1.038	1.332	1.516
1.074	1.393	1.591
1.114	1.462	1.676
1.156	1.523	1.752
1.232	1.624	1.845
1.307	1.725	1.937
1.382	1.827	2.030
1.457	1.928	2.122
1.532	2.029	2.215
1.607	2.130	2.307
1.683	2.231	2.400

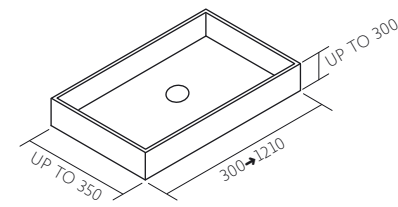
WORK TOP DEPTH UP TO 51 CM, ENQUIRE FOR LARGER DIMENSIONS.  
WORK TOP WITHOUT TAP HOLE MINIMUM DEPTH 41 CM.



# PAXOS



Based on the sit-on basin design of the PAXOS, we can manufacture a wide range of personalised and customised work tops, in any of the PIUTECH Compact and PIUTECH Marble finishes.



CODE	WIDTH UP TO
2111FM051AAA	51
2111FM061AAA	61
2111FM071AAA	71
2111FM081AAA	81
2111FM091AAA	91
2111FM101AAA	101
2111FM111AAA	111
2111FM121AAA	121

## PIUTECH COMPACT

THICK. UP TO 12	THICK. UP TO 30
819	1.022
936	1.172
1.091	1.372
1.207	1.523
1.362	1.723
1.478	1.873
1.633	2.073
1.750	2.223

## PIUTECH MARBLE

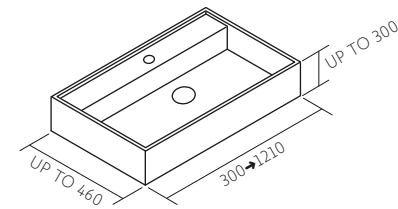
THICK. UP TO 12	THICK. UP TO 30
863	1.066
986	1.223
1.151	1.433
1.275	1.590
1.440	1.800
1.563	1.958
1.728	2.168
1.852	2.325

ENQUIRE REGARDING OTHER DIMENSIONS.

# MICENAS



The sit-on basin design of the MICENAS enables complete use of the worktop, due to integrating the tap hole into the basin itself. Available with personalised finishes and customisable.



CODE	WIDTH UP TO
2211FM051AAA	51
2211FM061AAA	61
2211FM071AAA	71
2211FM081AAA	81
2211FM091AAA	91
2211FM101AAA	101
2211FM111AAA	111
2211FM121AAA	121

## PIUTECH COMPACT

THICK. UP TO 12	THICK. UP TO 30
1.080	1.339
1.246	1.551
1.454	1.815
1.621	2.027
1.829	2.292
1.996	2.503
2.204	2.768
2.371	2.980

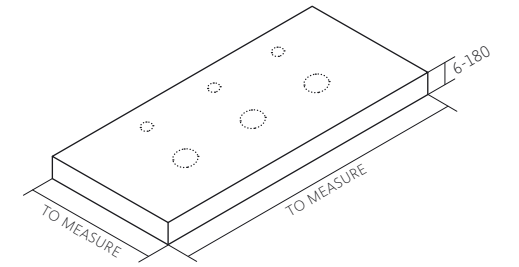
## PIUTECH MARBLE

THICK. UP TO 12	THICK. UP TO 30
1.135	1.395
1.312	1.616
1.532	1.893
1.708	2.114
1.929	2.391
2.105	2.613
2.326	2.889
2.502	3.111

ENQUIRE REGARDING OTHER DIMENSIONS.

# SIROS

MARQUINA BLACK PORCELAIN



PIUSTONE worktops are easily combined with any over worktop basins. Please provide the technical specification for the required basin for precision machining of syphon and tap holes.

CODE	WIDTH UP TO
2005FM061AAA	61
2005FM071AAA	71
2005FM081AAA	81
2005FM091AAA	91
2005FM101AAA	101
2005FM111AAA	111
2005FM121AAA	121
2005FM131AAA	131
2005FM141AAA	141
2005FM151AAA	151
2005FM161AAA	161
2005FM171AAA	171
2005FM181AAA	181
2005FM191AAA	191
2005FM201AAA	201
2005FM211AAA	211
2005FM221AAA	221

## PIUTECH COMPACT

THICK. 2	THICK. 4-8	THICK. 8,1-18
308	457	549
342	514	622
369	565	688
402	623	761
429	674	827
462	732	900
495	789	973
522	840	1.039
555	898	1.112
582	949	1.178
640	1.034	1.265
698	1.119	1.351
756	1.204	1.438
813	1.289	1.525
871	1.374	1.612
929	1.459	1.698
987	1.544	1.785

## PIUTECH MARBLE

THICK. 2	THICK. 4-8	THICK. 8,1-18
376	524	617
422	594	702
458	655	778
504	725	863
540	786	939
586	855	1.024
631	925	1.109
668	986	1.185
713	1.056	1.270
750	1.116	1.346
819	1.215	1.447
889	1.313	1.548
958	1.411	1.649
1.027	1.510	1.750
1.097	1.608	1.851
1.166	1.706	1.953
1.235	1.804	2.054

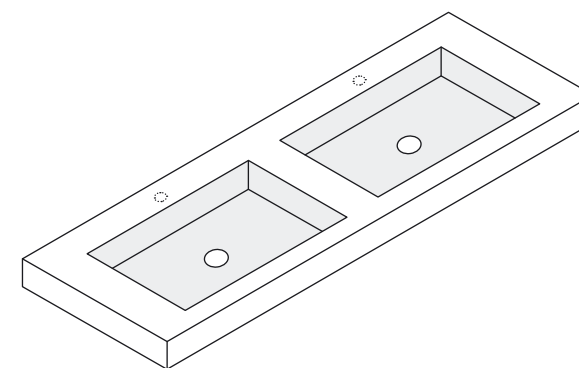
## PORCELAIN

THICK. 0,6	THICK. 4-8	THICK. 8,1-18
353	545	666
394	618	758
427	683	843
469	756	935
502	821	1.020
543	893	1.112
584	966	1.205
617	1.031	1.289
659	1.104	1.382
692	1.169	1.466
784	1.293	1.588
877	1.417	1.709
969	1.541	1.831
1.062	1.666	1.952
1.154	1.790	2.073
1.247	1.914	2.195
1.339	2.039	2.316

WORK TOP DEPTH UP TO 51 CM, ENQUIRE FOR LARGER DIMENSIONS. THE PRICE INCLUDES DRAIN HOLE AND TAP FOR KYRA GROUP BASIN MODELS. OTHER MAKES OF BASIN + 50€.

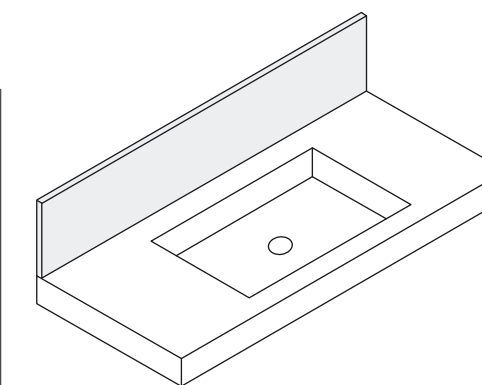
# HERMES

MARQUINA BLACK MARBLE



## SECOND BASIN

MIKONOS			VARI			DELFO	
COMPACT	MARBLE	PORCEL.	COMPACT	MARBLE	PORCEL.	COMPACT	MARBLE
110	110	126	143	143	153	110	110



## STRAIGHT CREST

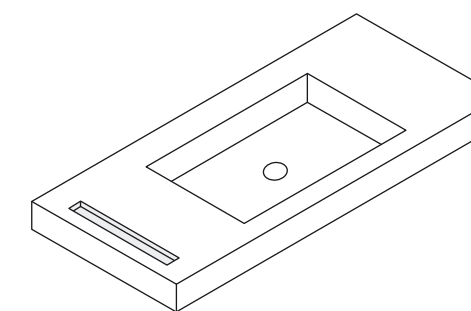
HEIGHT	COMPACT	MARBLE	PORCEL.
UP TO 8	101/Lm.	109/Lm.	116/Lm.
UP TO 30	290/Lm.	308/Lm.	355/Lm.

- Minimum lengths of 1 meter.



## INVISIBLE ANGEL

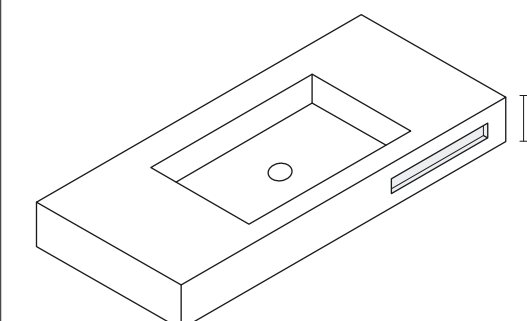
CODE	DESCRIPTION	PRICE
990030090101	Hidden Support	183



## UPPER TOWEL RAIL

CODE	WIDTH	PRICE
98002M050101	30→50 cm.	121

- Minimum overhang 8 cm. (2+4+2).



## FRONT TOWEL RAIL

CODE	WIDTH	PRICE
98003M050101	0→50 cm.	121

- Supplied height centred.

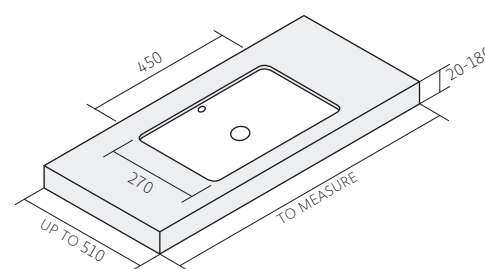
CODE	WIDTH UP TO
1411FM061AAA	61
1411FM071AAA	71
1411FM081AAA	81
1411FM091AAA	91
1411FM101AAA	101
1411FM111AAA	111
1411FM121AAA	121
1411FM131AAA	131
1411FM141AAA	141
1411FM151AAA	151
1411FM161AAA	161
1411FM171AAA	171
1411FM181AAA	181
1411FM191AAA	191
1411FM201AAA	201
1411FM211AAA	211
1411FM221AAA	221

## PIUTECH COMPACT

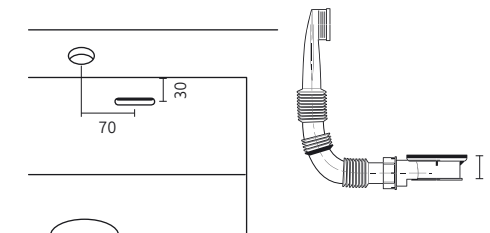
THICK. 2	THICK. 4→8	THICK. 8,1→18
582	730	822
615	787	895
642	838	961
675	896	1.034
702	947	1.100
735	1.005	1.173
769	1.062	1.246
795	1.113	1.312
829	1.171	1.385
855	1.222	1.451
919	1.306	1.535
983	1.390	1.619
1.046	1.474	1.703
1.110	1.557	1.787
1.173	1.641	1.870
1.237	1.725	1.954
1.301	1.809	2.038

## PIUTECH MARBLE

THICK. 2	THICK. 4→8	THICK. 8,1→18
650	798	890
695	868	975
732	928	1.051
777	998	1.136
813	1.059	1.212
859	1.129	1.297
905	1.198	1.382
941	1.259	1.458
986	1.329	1.544
1.023	1.390	1.619
1.098	1.488	1.720
1.173	1.586	1.821
1.248	1.684	1.922
1.324	1.783	2.023
1.399	1.881	2.125
1.474	1.979	2.226
1.549	2.078	2.327



The HERMES model allows satisfying the tastes and needs of the more traditional market, merging the nobility of natural stone with low profile porcelain basins.



## REBOSADERO

CODE	DESCRIPTION	PRICE
980010010101	Machining + Tube	62

- With rear taps, the overflow is on the right.



## SYPHON

CODE	FINISH	PRICE
990020010100	Chrome	39



## VALVE

CODE	FINISH	PRICE
990040010100	Chrome	40

PORCELAIN RECTANGULAR LOW-PROFILE FLAT BASIN INCLUDED IN PRICE. WORK TOP DEPTH UP TO 51 CM, ENQUIRE FOR LARGER DIMENSIONS.



## PORCELAIN



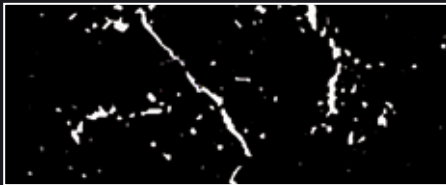
P01 **CALACATTA**



P02 **ZAHA STONE**



P03 **PIERRE BLUE**



P04 **MARQUINA BLACK**



P05 **BASALT BLACK**

## PIUTECH MARBLE



M01 **CARRARA**



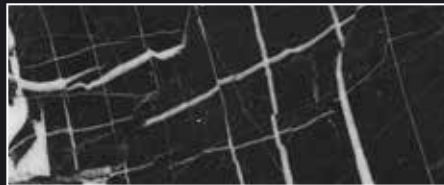
M02 **LABRADOR GREY**



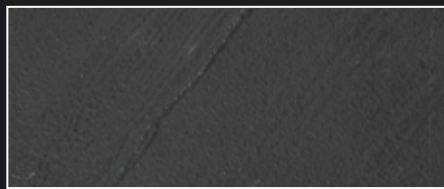
M03 **INDIO GREEN**



M04 **DARK EMPEROR**



M05 **MARQUINA BLACK**



M06 **SLATE**

## PIUTECH COMPACT



C01 **CALACATTA**



C02 **ESAMINATO GREY**



C03 **NOAR SAINT LAURENT**



C04 **MARQUINA BLACK**



C05 **CAPUCCINO**

# PIUSTONE

**BUJOL S.L.**

Pol. Centrovía - Nicaragua, 6 • 50198 La Muela • ZARAGOZA (Spain)  
(+34) 976 902 763 • info@kyrya.es